

40V, 6A Synchronous Step-Down COT Power Module

Description

The **XR79206** is part of a family of 40V synchronous step-down power modules combining the controller, drivers, inductor, passive components and MOSFETs in a single package for point-of-load supplies. This module requires very few external components, leading to ease of design and fast time to market. The XR79206 has a load current rating of 6A. A wide 5V to 40V input voltage range allows for single supply operation from industry standard 24V \pm 10%, 18V to 36V and rectified 18VAC and 24VAC rails.

With a proprietary emulated current mode Constant On-Time (COT) control scheme, the XR79206 provides extremely fast line and load transient response using ceramic output capacitors. It requires no loop compensation, simplifying circuit implementation and reducing overall component count. The control loop also provides 0.2% load and 0.1% line regulation and maintains constant operating frequency. A selectable power saving mode, allows the user to operate in Discontinuous Current Mode (DCM) at light current loads significantly increasing the converter efficiency.

A host of protection features, including overcurrent, over temperature, short-circuit and UVLO, help achieve safe operation under abnormal operating conditions.

The XR79206 is available in a RoHS-compliant, green / halogen-free space-saving 10mm x 10mm x 4mm QFN package.

FEATURES

- 6A step-down power module
 - 5V to 40V wide single input voltage
 - \geq 0.6V adjustable output voltage
- Controller, drivers, inductor, passive components and MOSFETs integrated in one package
- Proprietary constant on-time control
 - No loop compensation required
 - Stable with ceramic output capacitors
 - Programmable 100ns to 1 μ s on-time
 - Constant 400kHz to 800kHz frequency
 - Selectable CCM or DCM / CCM operation
- Precision enable and power-good flag
- Programmable soft-start
- 10mm x 10mm x 4mm QFN package

APPLICATIONS

- Drones and remote vehicles
- Automotive displays
- FPGA / DSP / processor supplies
- Industrial control and automation
- Telecommunications and infrastructure equipment
- Distributed power architecture

Typical Application

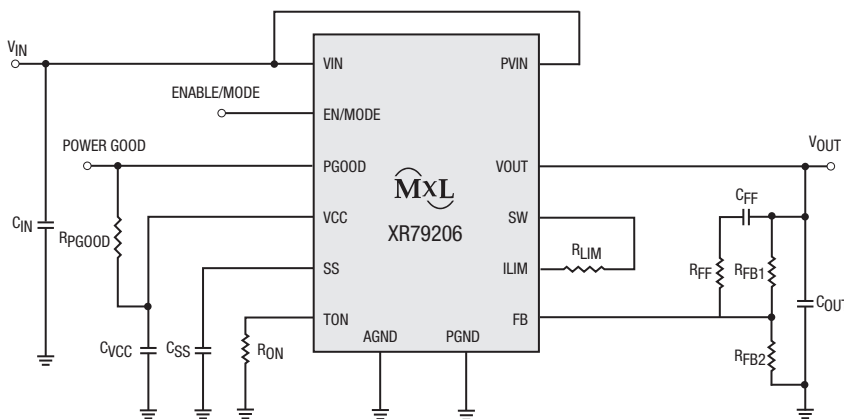


Figure 1. Typical Application

Ordering Information - [Back Page](#)

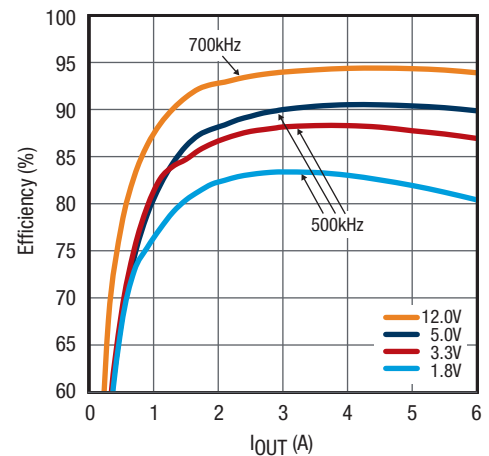


Figure 2. Efficiency, 24VIN

Absolute Maximum Ratings

These are stress ratings only and functional operation of the device at these ratings or any other above those indicated in the operation sections of the specifications below is not implied. Stresses beyond those listed under absolute maximum ratings may cause permanent damage to the device. Exposure to any absolute maximum rating condition for extended periods may affect device reliability and lifetime.

| | |
|---|------------------------------|
| P_{VIN}, V_{IN} | -0.3V to 43V |
| V_{CC} | -0.3V to 6.0V |
| BST..... | -0.3V to 48V ⁽¹⁾ |
| BST-SW..... | -0.3V to 6V |
| SW, ILIM..... | -1V to 43V ⁽¹⁾⁽²⁾ |
| All other pins..... | -0.3V to $V_{CC} + 0.3V$ |
| Storage temperature..... | -65°C to 150°C |
| Junction temperature..... | 150°C |
| Power dissipation | Internally limited |
| Lead temperature (soldering, 10 seconds)..... | 300°C |
| ESD rating (HBM – human body model) | 2kV |
| ESD rating (CDM – charged device model) | 2kV |

Operating Conditions

| | |
|--|------------------------------|
| P_{VIN}, V_{IN} | 5V to 40V |
| SW, ILIM | -1V to 40V ⁽¹⁾⁽²⁾ |
| PGOOD, V_{CC} , TON, SS, EN, FB..... | -0.3V to 5.5V |
| Switching frequency | 400kHz-800kHz ⁽³⁾ |
| Junction temperature range (T_J)..... | -40°C to 125°C |
| Package power dissipation max at 25°C..... | 5.5W |
| Package thermal resistance θ_{JA} | 18.1°C/W |

NOTES:

1. No external voltage applied.
2. The SW pin's DC range is -1V, transient is -5V for less than 50ns.
3. Recommended frequency for optimum performance.

Electrical Characteristics

$T_J = 25^\circ\text{C}$, $V_{IN} = 24\text{V}$, $BST = V_{CC}$, $SW = AGND = PGND = 0\text{V}$, $C_{VCC} = 4.7\mu\text{F}$, unless otherwise specified. Limits applying over the full operating temperature range are denoted by a •.

| Symbol | Parameter | Conditions | • | Min | Typ | Max | Units |
|--|---------------------------------------|--|---|------|------|------|---------------|
| Power Supply Characteristics | | | | | | | |
| V_{IN} | Input voltage range | V_{CC} regulating | • | 5 | | 40 | V |
| I_{VIN} | V_{IN} supply current | Not switching, $V_{IN} = 24\text{V}$, $V_{FB} = 0.7\text{V}$ | • | | 0.7 | 2 | mA |
| | | $f = 500\text{kHz}$, $R_{ON} = 124\text{k}\Omega$, $V_{FB} = 0.58\text{V}$ | | | 10 | | mA |
| I_{OFF} | Shutdown current | Enable = 0V, $P_{VIN} = V_{IN} = 24\text{V}$ | | | 1 | | μA |
| Enable and Undervoltage Lock-Out (UVLO) | | | | | | | |
| $V_{IH_EN_1}$ | EN pin rising threshold | | • | 1.8 | 1.9 | 2.0 | V |
| $V_{EN_HYS_1}$ | EN pin hysteresis | | | | 70 | | mV |
| $V_{IH_EN_2}$ | EN pin rising threshold for DCM / CCM | | • | 2.8 | 3.0 | 3.1 | V |
| $V_{EN_HYS_2}$ | EN pin hysteresis | | | | 110 | | mV |
| | V_{CC} UVLO start threshold | Rising edge | • | 4.00 | 4.25 | 4.40 | V |
| | V_{CC} UVLO hysteresis | | • | | 195 | | mV |

Electrical Characteristics (Continued)

$T_J = 25^\circ\text{C}$, $V_{IN} = 24\text{V}$, $BST = V_{CC}$, $SW = AGND = PGND = 0\text{V}$, $C_{VCC} = 4.7\mu\text{F}$, unless otherwise specified. Limits applying over the full operating temperature range are denoted by a •.

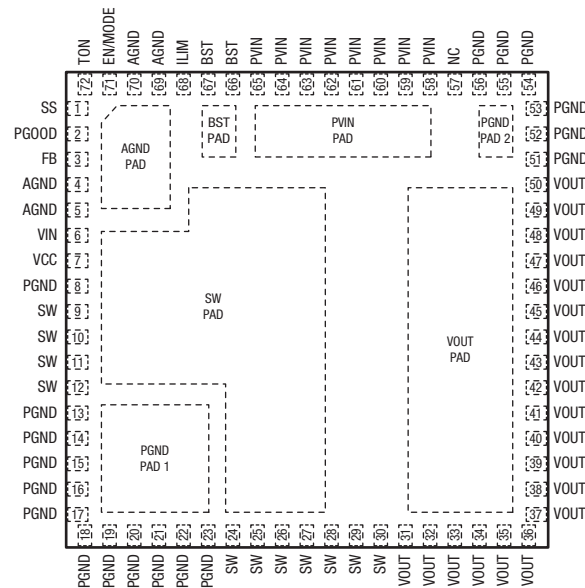
| Symbol | Parameter | Conditions | • | Min | Typ | Max | Units |
|-------------------------------|------------------------------|---|---|-------|-----------|-------|---------------|
| Reference Voltage | | | | | | | |
| V_{REF} | Reference voltage | $V_{IN} = 5\text{V to } 40\text{V}$, V_{CC} regulating | | 0.596 | 0.600 | 0.604 | V |
| | | | • | 0.594 | 0.600 | 0.606 | V |
| | DC load regulation | CCM operation, closed loop, applies to any C_{OUT} | | | ± 0.2 | | % |
| | DC line regulation | | | | ± 0.1 | | % |
| Programmable Constant On-Time | | | | | | | |
| $T_{ON(MIN)}$ | Minimum programmable on-time | $R_{ON} = 14\text{k}\Omega$, $V_{IN} = 40\text{V}$ | | | 120 | | ns |
| T_{ON1} | On-time 1 | $R_{ON} = 14\text{k}\Omega$, $V_{IN} = 24\text{V}$ | • | 180 | 200 | 220 | ns |
| T_{ON2} | On-time 2 | $R_{ON} = 35.7\text{k}\Omega$, $V_{IN} = 24\text{V}$ | • | 420 | 470 | 520 | ns |
| | On-time 2 frequency | $R_{ON} = 35.7\text{k}\Omega$, $V_{IN} = 24\text{V}$, $V_{OUT} = 5.0\text{V}$, $I_{OUT} = 6\text{A}$ | | 425 | 470 | 525 | kHz |
| $T_{OFF(MIN)}$ | Minimum off-time | | • | | 250 | 350 | ns |
| Diode Emulation Mode | | | | | | | |
| | Zero crossing threshold | DC value measured during test | | | -2 | | mV |
| Soft-Start | | | | | | | |
| | SS charge current | | • | -14 | -10 | -6 | μA |
| | SS discharge current | Fault present | • | 1 | | | mA |
| V_{CC} Linear Regulator | | | | | | | |
| | V_{CC} output voltage | $V_{IN} = 6\text{V to } 40\text{V}$, $I_{LOAD} = 0$ to 30mA | • | 4.8 | 5.0 | 5.2 | V |
| | | $V_{IN} = 5\text{V}$, $I_{LOAD} = 0$ to 20mA | • | 4.51 | 4.8 | | |
| Power Good Output | | | | | | | |
| | Power Good threshold | | | -10 | -7 | -5 | % |
| | Power Good hysteresis | | | | 1.5 | 4 | % |
| | Power Good sink current | | | 1 | | | mA |

Electrical Characteristics (Continued)

$T_J = 25^\circ\text{C}$, $V_{IN} = 24\text{V}$, $BST = V_{CC}$, $SW = AGND = PGND = 0\text{V}$, $C_{VCC} = 4.7\mu\text{F}$, unless otherwise specified. Limits applying over the full operating temperature range are denoted by a •.

| Symbol | Parameter | Conditions | • | Min | Typ | Max | Units |
|-------------------------------------|---|---|---|------|------|------|------------------------------|
| Protection: OCP, OTP, Short-Circuit | | | | | | | |
| | Hiccup timeout | | | | 110 | | ms |
| | I_{LIM} / R_{DS} | | | 2.40 | 2.85 | 3.20 | $\mu\text{A}/\text{m}\Omega$ |
| | I_{LIM} current temperature coefficient | | | | 0.4 | | $\%/^\circ\text{C}$ |
| | I_{LIM} comparator offset | | • | -8 | 0 | 8 | mV |
| | Current limit blanking | GL rising > 1V | | | 100 | | ns |
| | Thermal shutdown threshold | Rising temperature | | | 150 | | $^\circ\text{C}$ |
| | Thermal hysteresis | | | | 15 | | $^\circ\text{C}$ |
| | Feedback pin short-circuit threshold | Percent of V_{REF} , short circuit is active. After PGOOD is asserted | • | 50 | 60 | 70 | % |
| Output Power Stage | | | | | | | |
| $R_{DS(on)}$ | High-side MOSFET $R_{DS(on)}$ | $I_{DS} = 2\text{A}$ | | | 41 | 59 | $\text{m}\Omega$ |
| | Low-side MOSFET $R_{DS(on)}$ | | | | 17.6 | 21.5 | $\text{m}\Omega$ |
| I_{OUT} | Maximum output current | | • | 6 | | | A |
| L | Output inductance | | | 1.8 | 2.2 | 2.6 | μH |
| C_{IN} | Input capacitance | | | | 1 | | μF |
| C_{BST} | Bootstrap capacitance | | | | 0.1 | | μF |

Pin Configuration



Pin Functions

| Pin Number | Pin Name | Type | Description |
|-------------------------|----------|-------|---|
| 1 | SS | A | Soft-start pin. Connect an external capacitor between SS and AGND to program the soft-start rate based on the 10 μ A internal source current. |
| 2 | PGOOD | OD, O | Power-good output. This open-drain output is pulled low when V _{OUT} is outside the regulation. |
| 3 | FB | A | Feedback input to feedback comparator. Connect with a set of resistors to V _{OUT} and AGND in order to program V _{OUT} . |
| 4, 5, 69, 70, AGND Pad | AGND | A | Analog ground. Control circuitry of the IC is referenced to this pin. Connect to PGND. |
| 6 | VIN | PWR | IC supply input. Provides power to the internal LDO. Connect to PVIN pins. |
| 7 | VCC | PWR | The output of LDO. Bypass with a 4.7 μ F capacitor to AGND. |
| 8 | PGND | PWR | Controller low-side driver ground. Connect with a short trace to the closest PGND pins or PGND pad. |
| 13-23, 51-56, PGND Pads | PGND | PWR | Ground of the power stage. Should be connected to the system's power ground plane. |
| 9-12, 24-30, SW Pad | SW | PWR | Switching node. It internally connects the source of the high-side FET, the drain of the low-side FET, the inductor and bootstrap capacitor. Use thermal vias and / or sufficient PCB land area in order to heatsink the low-side FET and the inductor. |
| 31-50, VOUT Pad | VOUT | PWR | Output of the power stage. Place the output filter capacitors as close as possible to these pins. |
| 58-65, PVIN Pad | PVIN | PWR | Power stage input voltage. Place the input filter capacitors as close as possible to these pins. |
| 66, 67, BST Pad | BST | A | Controller high-side driver supply pin. It is internally connected to SW via a 0.1 μ F bootstrap capacitor. Leave these pins floating. |
| 68 | ILIM | A | Overcurrent protection programming. Connect with a short trace to the SW pins. |
| 71 | EN/MODE | I | Precision enable pin. Pulling this pin above 1.9V will turn the IC on and it will operate in Forced CCM. If the voltage is raised above 3.0V, then the IC will operate in DCM or CCM depending on load. |
| 72 | TON | A | Constant on-time programming pin. Connect with a resistor to AGND. |

NOTE:

A = Analog, I = Input, O = Output, OD = Open Drain, PWR = Power.

Typical Performance Characteristics

$T_A = 25^\circ\text{C}$, $V_{IN} = 24\text{V}$, $V_{OUT} = 3.3\text{V}$, $I_{OUT} = 6\text{A}$, $f = 500\text{kHz}$, unless otherwise specified. The schematic is shown in Figure 27.

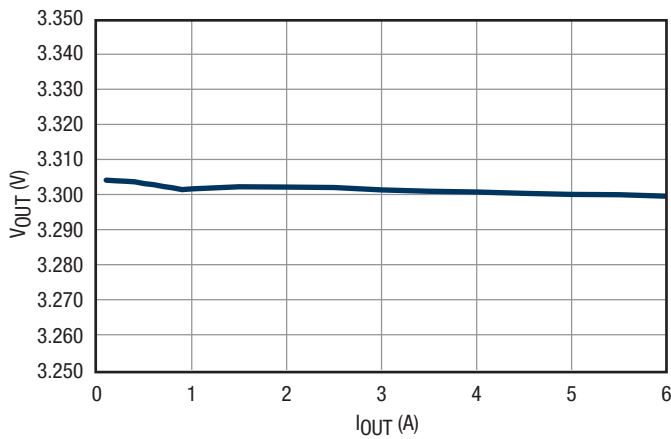


Figure 3. Load Regulation

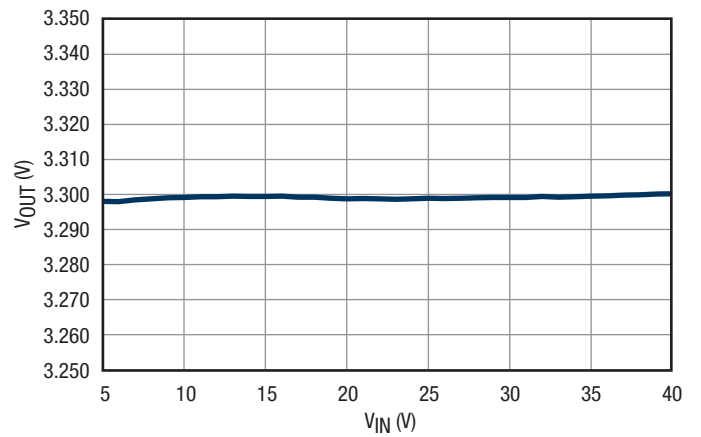


Figure 4. Line Regulation

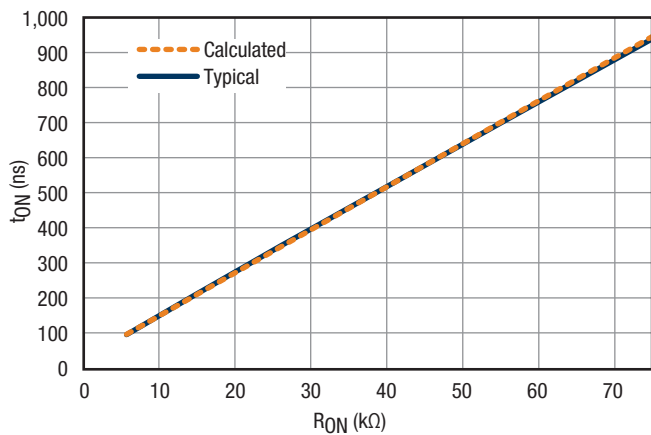


Figure 5. t_{ON} vs. R_{ON}

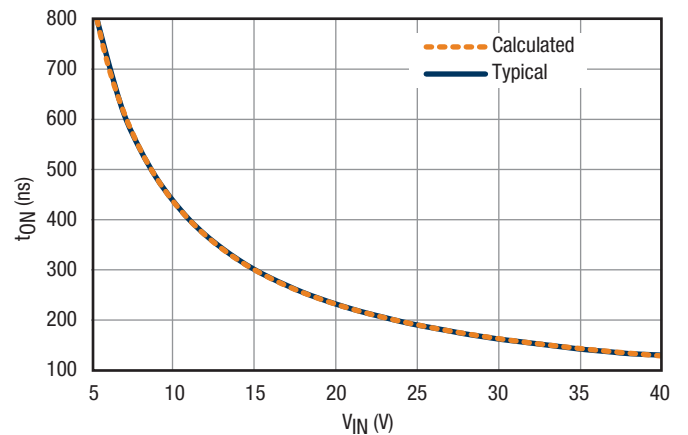


Figure 6. t_{ON} vs. V_{IN} , $R_{ON} = 14\text{k}\Omega$

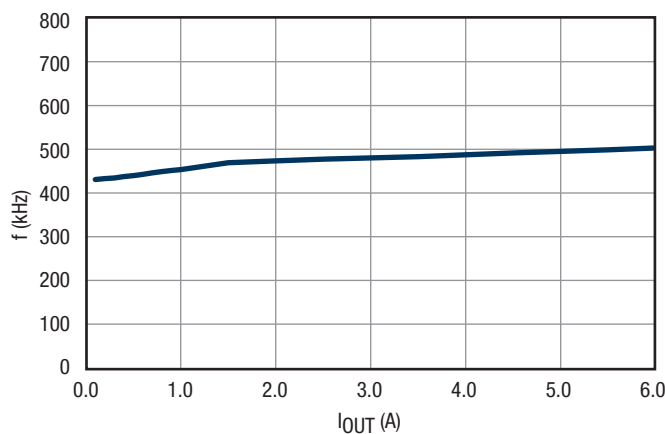


Figure 7. Switching Frequency vs. I_{OUT}

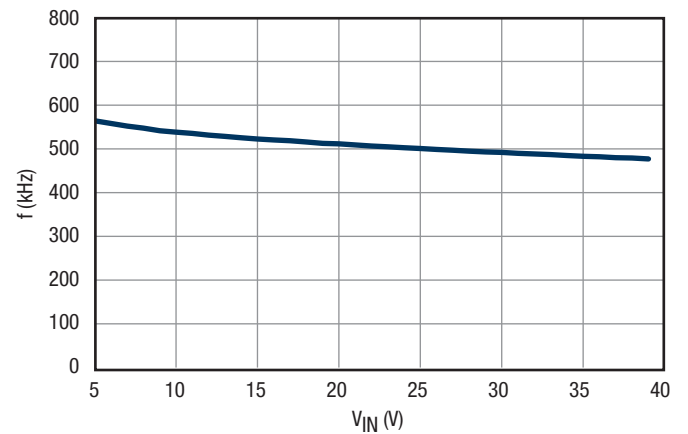


Figure 8. Switching Frequency vs. V_{IN}

Typical Performance Characteristics (Continued)

$T_A = 25^\circ\text{C}$, $V_{IN} = 24\text{V}$, $V_{OUT} = 3.3\text{V}$, $I_{OUT} = 6\text{A}$, $f = 500\text{kHz}$, unless otherwise specified. The schematic is shown in Figure 27.

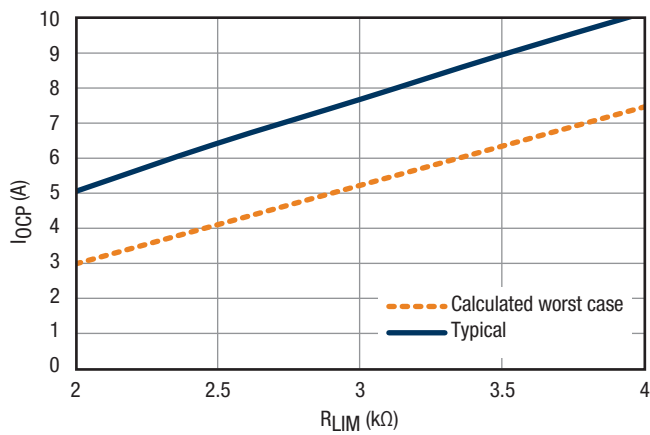


Figure 9. I_{OCP} vs. R_{LIM}

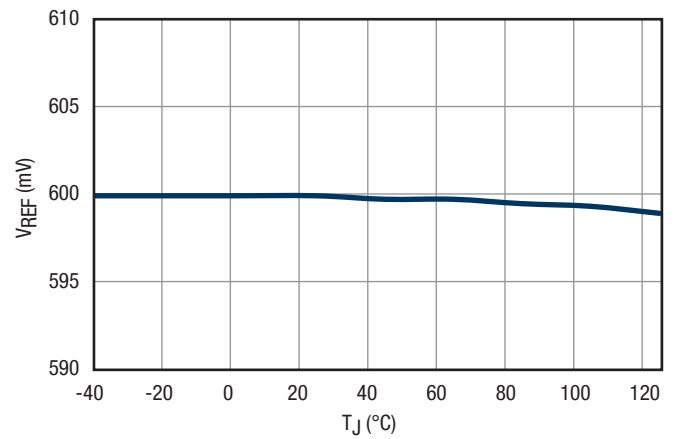


Figure 10. V_{REF} vs. Temperature

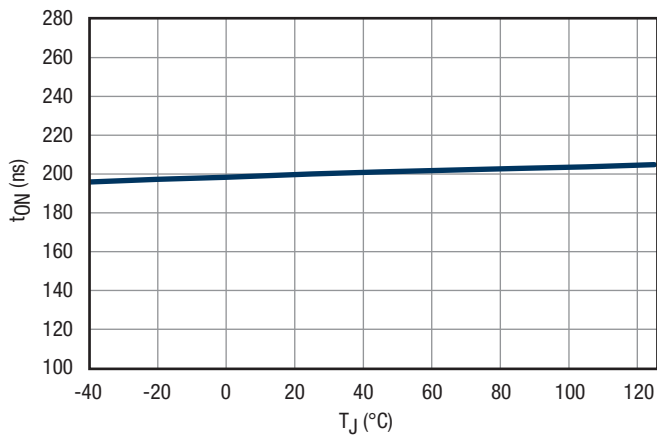


Figure 11. t_{ON} vs. Temperature, $R_{ON} = 14\text{k}\Omega$

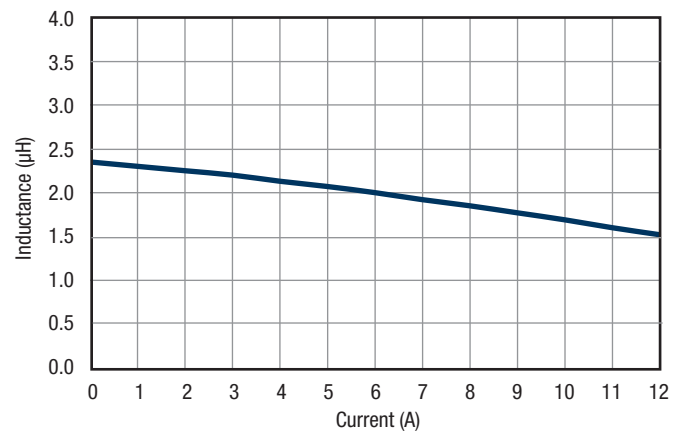


Figure 12. Inductance vs. Current

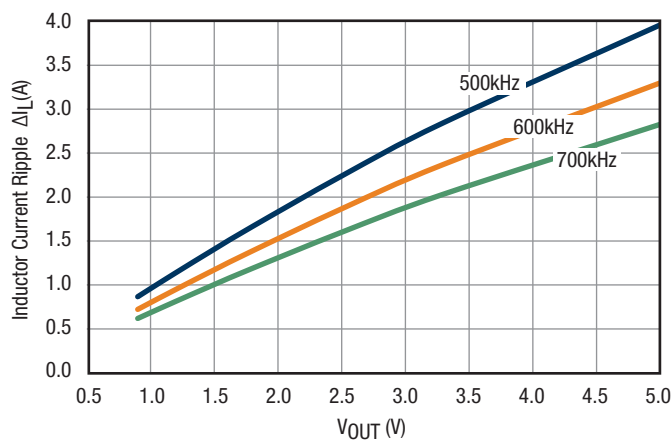


Figure 13. Inductor Current Ripple vs. V_{OUT}

Typical Performance Characteristics (Continued)

$T_A = 25^\circ\text{C}$, $V_{IN} = 24\text{V}$, $V_{OUT} = 3.3\text{V}$, $I_{OUT} = 6\text{A}$, $f = 500\text{kHz}$, unless otherwise specified. The schematic is shown in Figure 27.

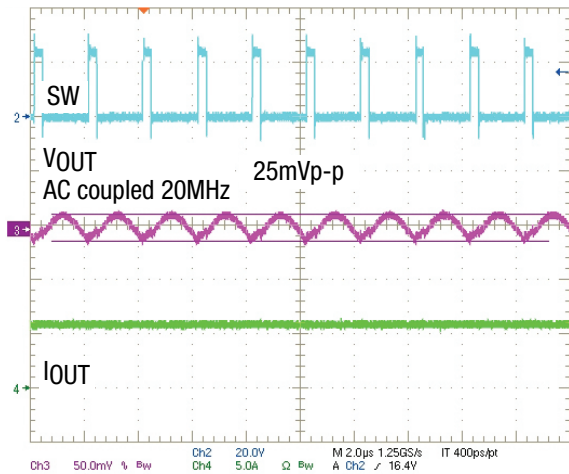


Figure 14. Steady State CCM, $I_{OUT} = 6\text{A}$

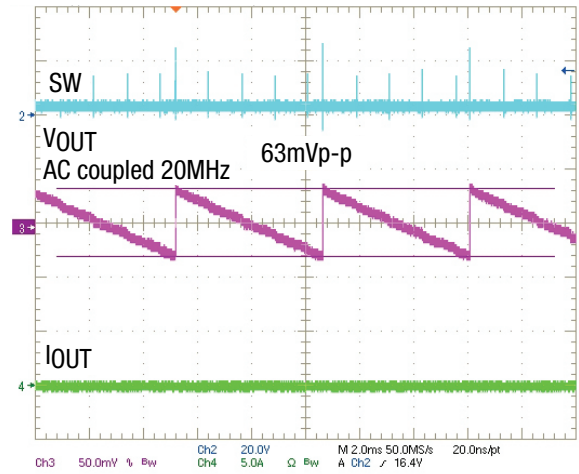


Figure 15. Steady State DCM, $I_{OUT} = 0\text{A}$

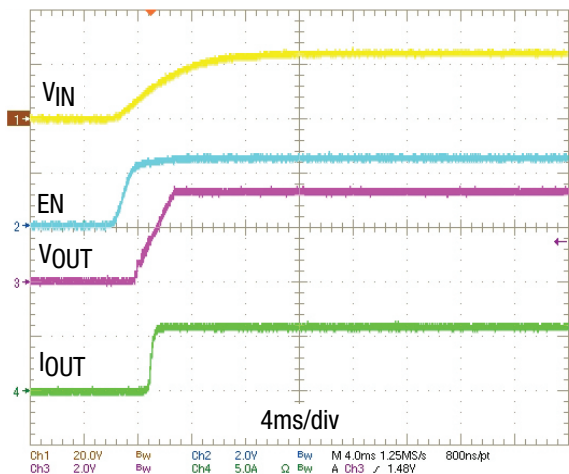


Figure 16. Power Up, $I_{OUT} = 6\text{A}$

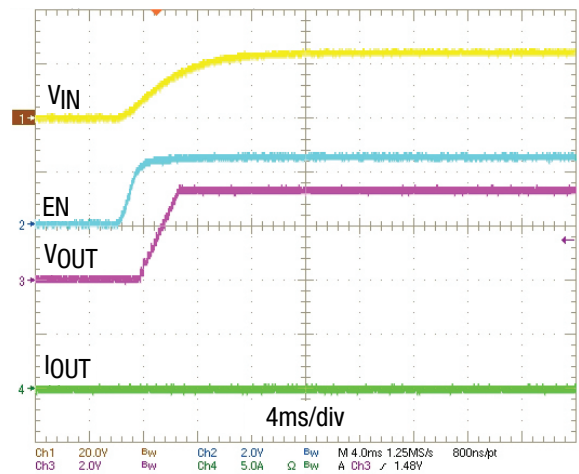


Figure 17. Power Up, $I_{OUT} = 0\text{A}$

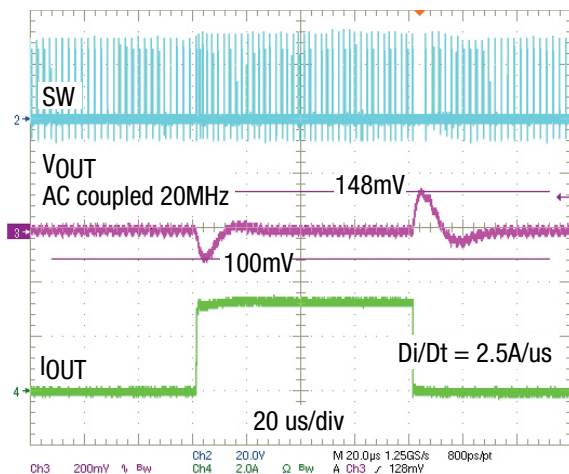


Figure 18. Load Step, CCM, 0A-3A-0A

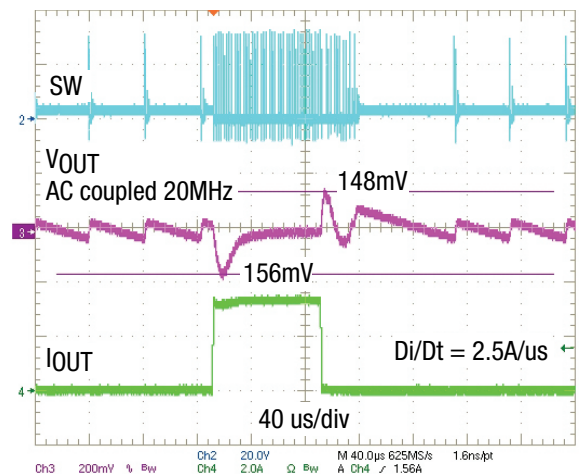


Figure 19. Load Step, DCM/CCM, 0.05A-3A-0.05A

Typical Performance Characteristics (Continued)

Efficiency and Package Thermal Derating

$T_A = 25^\circ\text{C}$, no airflow, $f = 500\text{kHz}$, unless otherwise specified. The schematic is shown in Figure 27.

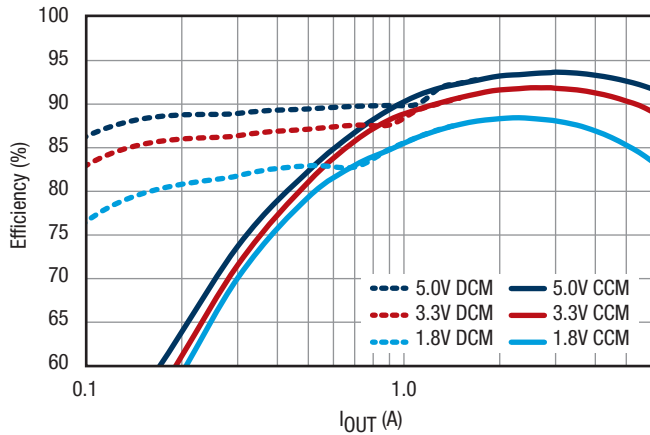


Figure 20. Efficiency, $V_{IN} = 12\text{V}$

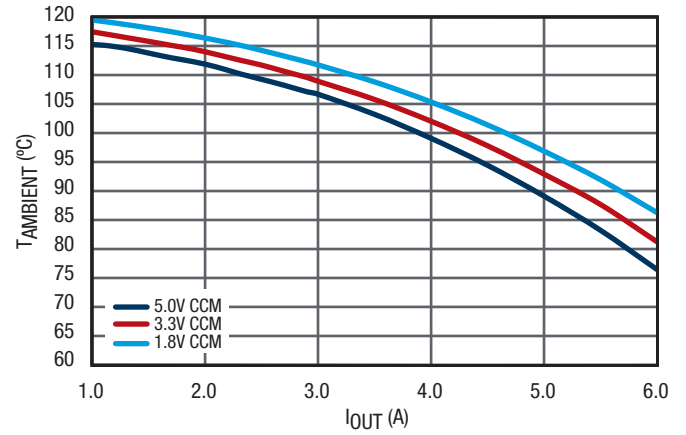


Figure 21. Maximum T_{AMBIENT} vs. I_{OUT} , $V_{IN} = 12\text{V}$

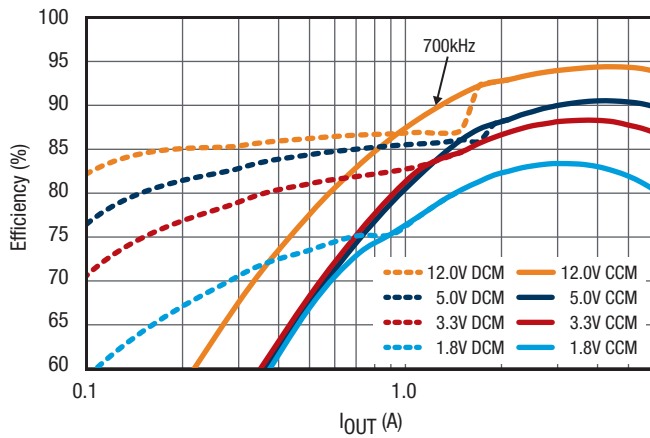


Figure 22. Efficiency, $V_{IN} = 24\text{V}$

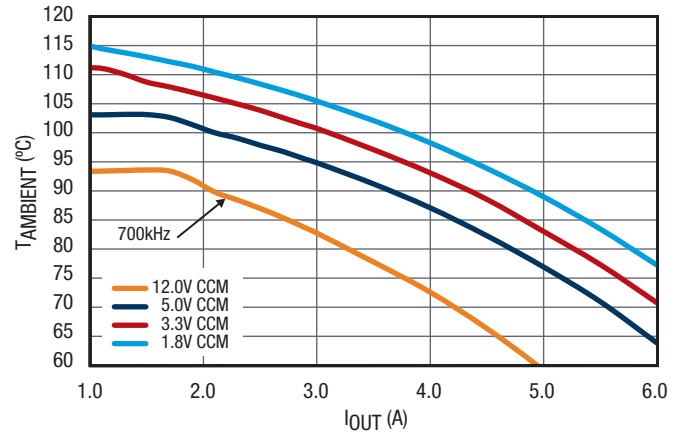


Figure 23. Maximum T_{AMBIENT} vs. I_{OUT} , $V_{IN} = 24\text{V}$

Functional Block Diagram

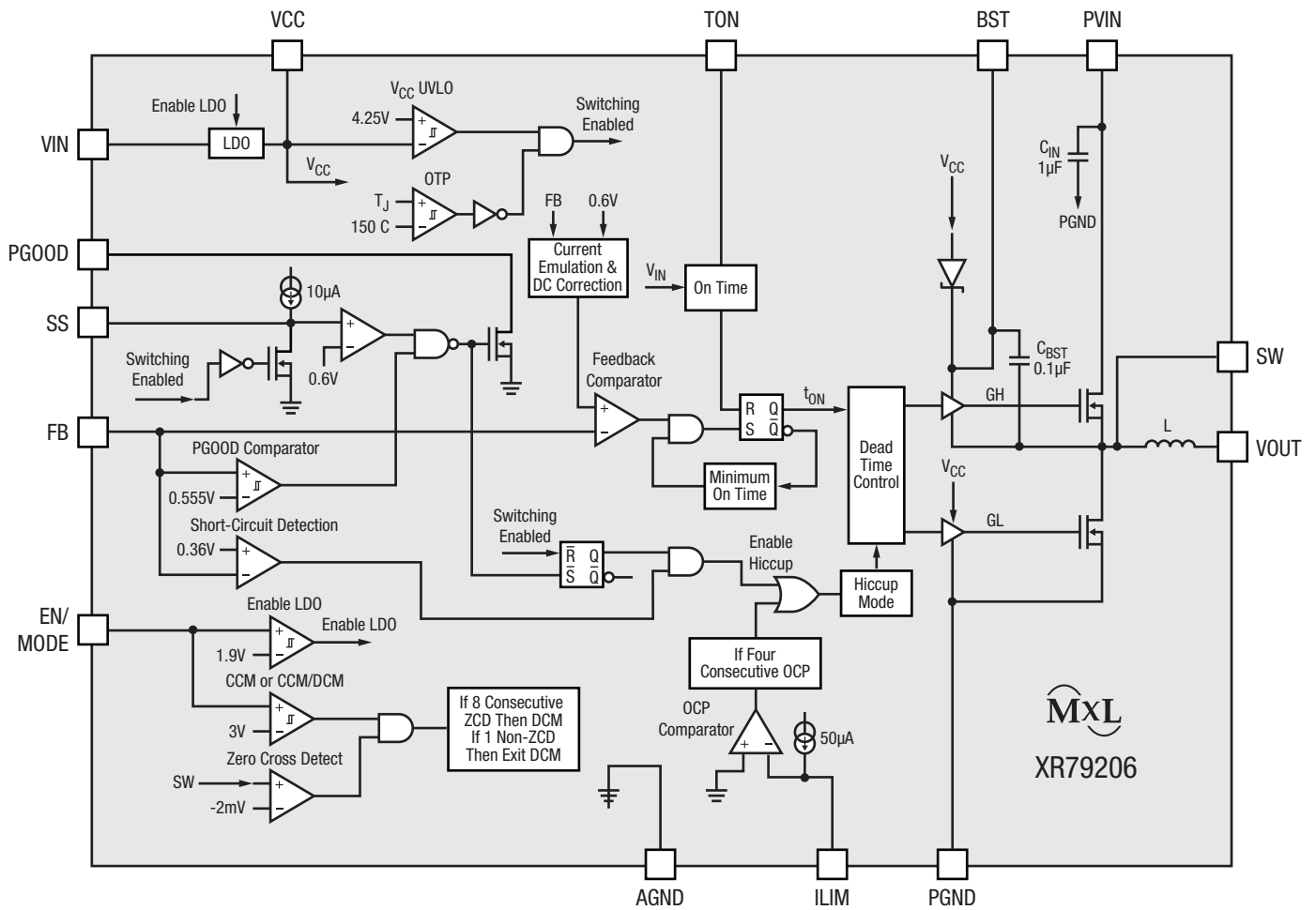


Figure 24. Functional Block Diagram

Applications Information

Functional Description

XR79206 is a synchronous step-down, proprietary emulated current-mode Constant On-Time (COT) module. The on-time, which is programmed via R_{ON} , is inversely proportional to V_{IN} and maintains a nearly constant frequency. The emulated current-mode control is stable with ceramic output capacitors.

Each switching cycle begins with the GH signal turning on the high-side (switching) FET for a preprogrammed time. At the end of the on-time, the high-side FET is turned off and the low-side (synchronous) FET is turned on for a preset minimum time (250ns nominal). This parameter is termed Minimum Off-Time. After the Minimum Off-Time, the voltage at the feedback pin FB is compared to an internal voltage ramp at the feedback comparator. When V_{FB} drops below the ramp voltage, the high-side FET is turned on and the cycle repeats. This voltage ramp constitutes an emulated current ramp and makes possible the use of ceramic capacitors, in addition to other capacitor types, for output filtering.

Enable / Mode Input (EN/MODE)

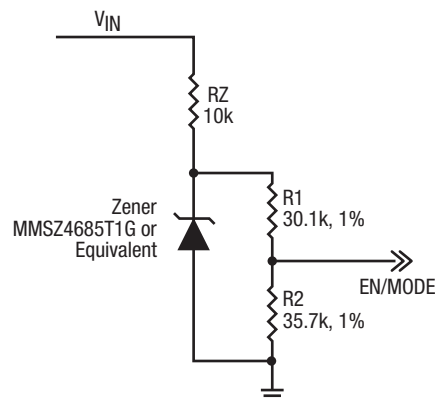
EN/MODE pin accepts a tri-level signal that is used to control turn on and turn off. It also selects between two modes of operation: forced CCM and DCM / CCM. If EN/MODE is pulled below 1.8V, the module shuts down. A voltage between 2.0V and 2.8V selects the forced CCM mode, which will run the module in continuous conduction at all times. A voltage higher than 3.1V selects the DCM / CCM mode, which will run the module in discontinuous conduction at light loads.

Selecting the Forced CCM Mode

In order to set the module to operate in forced CCM, a voltage between 2.0V and 2.8V must be applied to EN/MODE. This can be achieved with an external control signal that meets the above voltage requirement. Where an external control is not available, the EN/MODE can be derived from V_{IN} . If V_{IN} is well regulated, use a resistor divider and set the voltage to 2.5V. If V_{IN} varies over a wide range, the circuit shown in Figure 25 can be used to generate the required voltage. Note that at V_{IN} of 5.0V and 40V, the nominal Zener voltage is 4.0V and 5.0V respectively. Therefore for V_{IN} in the range of 5.0V to 40V, the circuit shown in Figure 25 will generate the V_{EN} required for forced CCM.

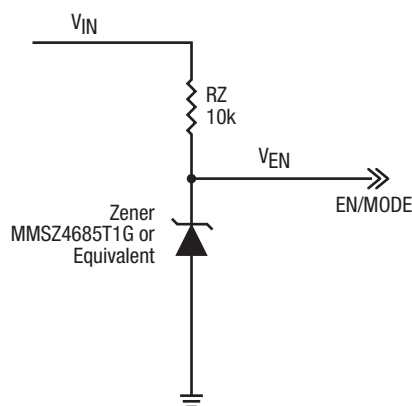
Selecting the DCM/CCM Mode

In order to set the module operation to DCM / CCM, a voltage between 3.1V and 5.5V must be applied to the EN/MODE pin. If an external control signal is available, it can be directly connected to EN/MODE. In applications where an external control is not available, the EN/MODE input can be derived from V_{IN} . If V_{IN} is well regulated, use a resistor divider and set the voltage to 4V. If V_{IN} varies over a wide range, the circuit shown in Figure 26 can be used to generate the required voltage for DCM / CCM operation.



Forced CCM, wide V_{IN} range

Figure 25. Selecting Forced CCM by Deriving EN/MODE from V_{IN}



DCM/CCM, wide V_{IN} range

Figure 26. Selecting DCM/CCM by Deriving EN/MODE from V_{IN}

Applications Information (Continued)

Programming the On-Time

The on-time t_{ON} is programmed via resistor R_{ON} according to following equation:

$$R_{ON} = \frac{V_{IN} \times [t_{ON} - (2.5 \times 10^{-8})]}{2.95 \times 10^{-10}}$$

A graph of t_{ON} vs. R_{ON} , using the above equation, is compared to typical test data in Figure 5. The graph shows that calculated data matches typical test data within 3%.

The t_{ON} corresponding to a particular set of operating conditions can be calculated based on empirical data from:

$$t_{ON} = \frac{V_{OUT}}{V_{IN} \times 1.06 \times f \times \text{Eff.}}$$

Where:

- f is the desired switching frequency at nominal I_{OUT}
- Eff. is the converter efficiency corresponding to nominal I_{OUT}

Substituting for t_{ON} in the first equation we get:

$$R_{ON} = \frac{\left(\frac{V_{OUT}}{1.06 \times f \times \text{Eff.}} \right) - [(2.5 \times 10^{-8}) \times V_{IN}]}{(2.95 \times 10^{-10})}$$

Now R_{ON} can be calculated in terms of operating conditions V_{IN} , V_{OUT} , f and Eff. using the above equation. At $V_{IN} = 24V$, $f = 500kHz$, $I_{OUT} = 6A$ and using the efficiency numbers from Figure 22 we get the following R_{ON} :

| V_{OUT} (V) | Eff. (%) | f (kHz) | R_{ON} (k Ω) |
|---------------|----------|-----------|------------------------|
| 12.0 | 94 | 700 | 56.3 |
| 5.0 | 90 | 500 | 33.5 |
| 3.3 | 87 | 500 | 22.2 |
| 1.8 | 80 | 500 | 12.4 |

Overcurrent Protection (OCP)

If the load current exceeds the programmed overcurrent threshold I_{OCP} for four consecutive switching cycles, the module enters the hiccup mode of operation. In hiccup mode the MOSFET gates are turned off for 110ms (hiccup timeout). Following the hiccup timeout, a soft-start is attempted. If OCP persists, the hiccup timeout will repeat. The module will remain in hiccup mode until load current is reduced below the programmed I_{OCP} . In order to program overcurrent protection, use the following equation:

$$R_{LIM} = \left[\frac{(I_{OCP} + (0.5 \times \Delta I_L))}{\left(\frac{I_{LIM}}{R_{DS}} \right)} \right] + 0.16k\Omega$$

Where:

- R_{LIM} is the resistor value in k Ω for programming I_{OCP}
- I_{OCP} is the overcurrent value to be programmed
- ΔI_L is the peak-to-peak inductor current ripple
- $I_{LIM} / R_{DS} = 2.4\mu A/m\Omega$ is the minimum value of the parameter specified in the tabulated data
- 0.16k Ω accounts for OCP comparator offset

The above equation is for worst-case analysis and safeguards against premature OCP. The typical value of I_{OCP} for a given R_{LIM} will be higher than that predicted by the above equation. A graph of calculated I_{OCP} vs. R_{LIM} is compared to typical I_{OCP} in Figure 9.

Short-Circuit Protection (SCP)

If the output voltage drops below 60% of its programmed value, the module will enter hiccup mode. Hiccup will persist until the short-circuit is removed. The SCP circuit becomes active after PGOOD asserts high.

Over Temperature Protection (OTP)

OTP triggers at a nominal controller temperature of 150°C. The gates of the switching FET and synchronous FET are turned off. When controller temperature cools down to 135°C, soft-start is initiated and operation resumes.

Applications Information (Continued)

Programming the Output Voltage

Use an external voltage divider as shown in Figure 27 to program the output voltage V_{OUT} .

$$R_{FB1} = R_{FB2} \times \left(\frac{V_{OUT}}{0.6V} - 1 \right)$$

Where R_{FB2} has a nominal value of 2k Ω .

Programming the Soft-Start

Place a capacitor C_{SS} between the SS and AGND pins to program the soft-start. In order to program a soft-start time of t_{SS} , calculate the required capacitance C_{SS} from the following equation:

$$C_{SS} = t_{SS} \times \frac{10\mu A}{0.6V}$$

Feed-Forward Capacitor (C_{FF})

The feed-forward capacitor C_{FF} is used to set the necessary phase margin when using ceramic output capacitors. Calculate C_{FF} from the following equation:

$$C_{FF} = \frac{1}{2 \times \pi \times R_{FB1} \times 5 \times f_{LC}}$$

Where f_{LC} , the output filter double-pole frequency is calculated from:

$$f_{LC} = \frac{1}{2 \times \pi \times \sqrt{L \times C_{OUT}}}$$

You must use the manufacturer's DC derating curves to determine the effective capacitance corresponding to V_{OUT} . A load step test and / or a loop frequency response test should be performed, and if necessary C_{FF} can be adjusted in order to get a critically damped transient load response.

In certain conditions an alternate compensation scheme may need to be employed using ripple injection from the inductor. An application note is being developed to provide more information about this compensation scheme.

Feed-Forward Resistor (R_{FF})

R_{FF} , in conjunction with C_{FF} , functions similar to a high frequency pole and adds gain margin to the frequency response. Calculate R_{FF} from:

$$R_{FF} = \frac{1}{2 \times \pi \times f \times C_{FF}}$$

Where f is the switching frequency.

If $R_{FF} > 0.02 \times R1$ then calculate R_{FF} value from

$$R_{FF} = 0.02 \times R1.$$

Maximum Allowable Voltage Ripple at FB Pin

Note that the steady-state voltage ripple at feedback pin FB ($V_{FB,RIPPLE}$) must not exceed 50mV in order for the module to function correctly. If $V_{FB,RIPPLE}$ is larger than 50mV, then C_{OUT} should be increased as necessary in order to keep the $V_{FB,RIPPLE}$ below 50mV.

Applications Information (Continued)

Typical Application Circuit

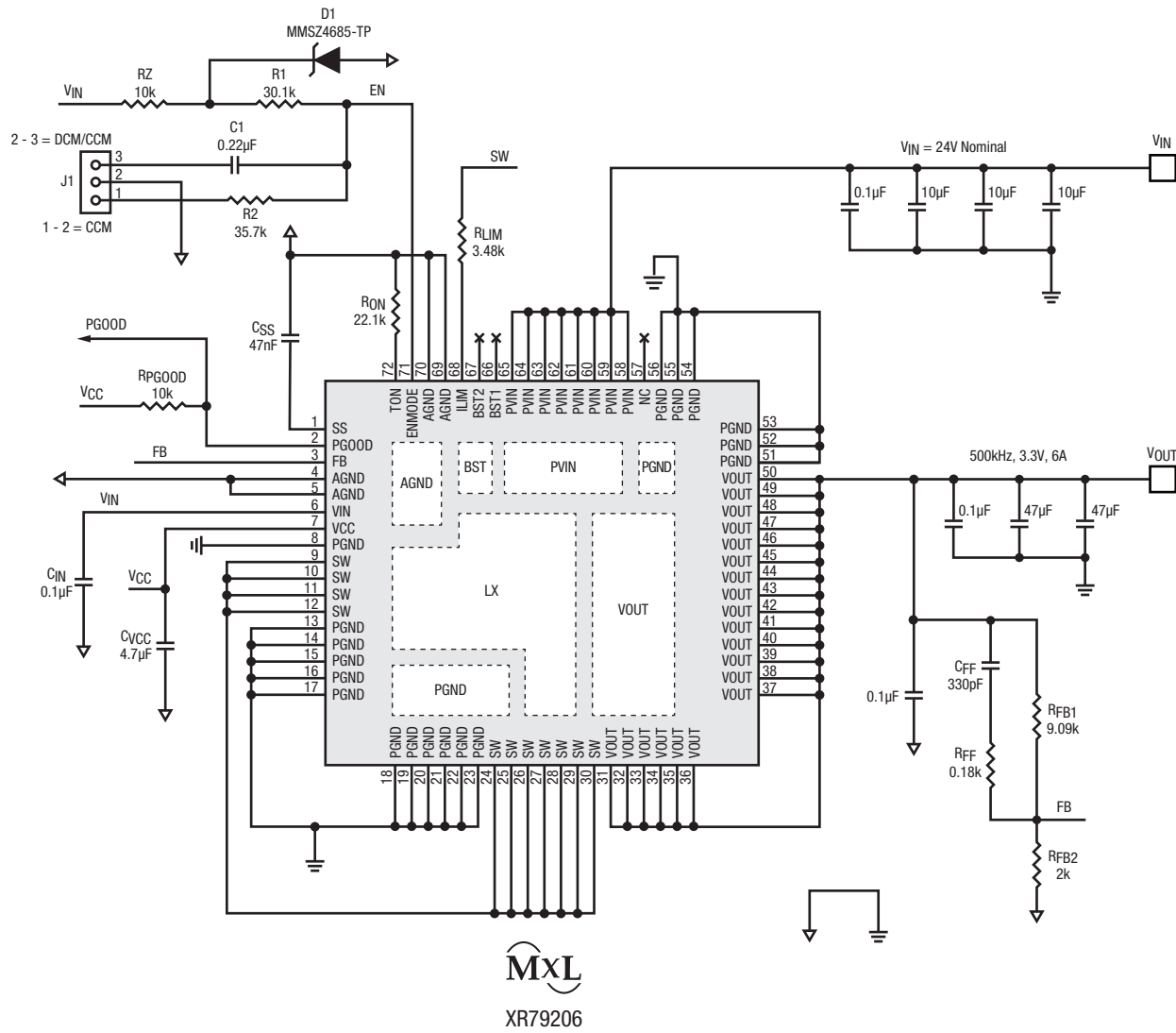
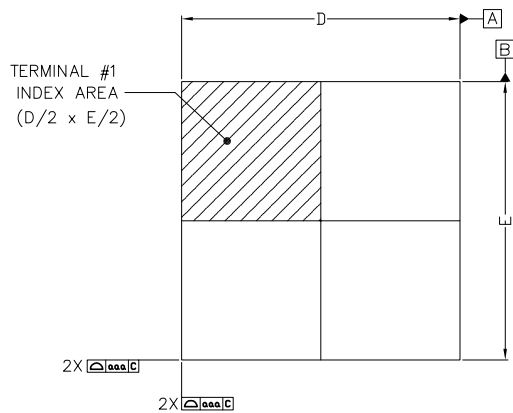
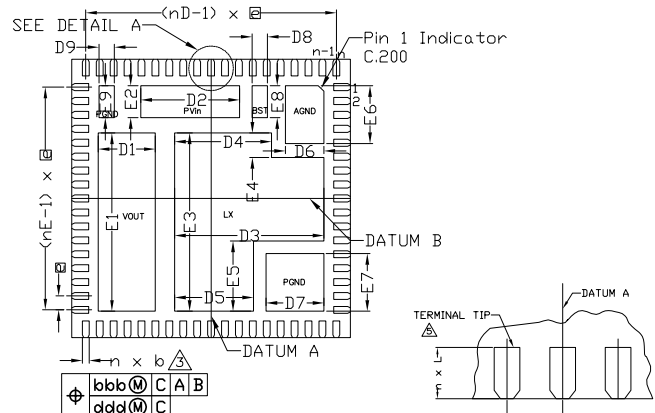


Figure 27. Application Circuit

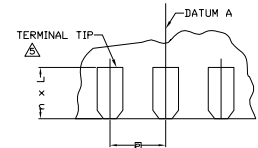
Mechanical Dimensions



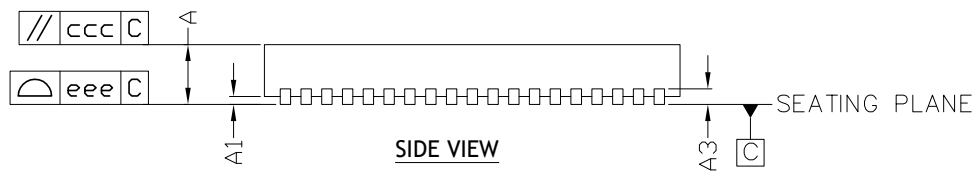
TOP VIEW



BOTTOM VIEW



DETAIL A

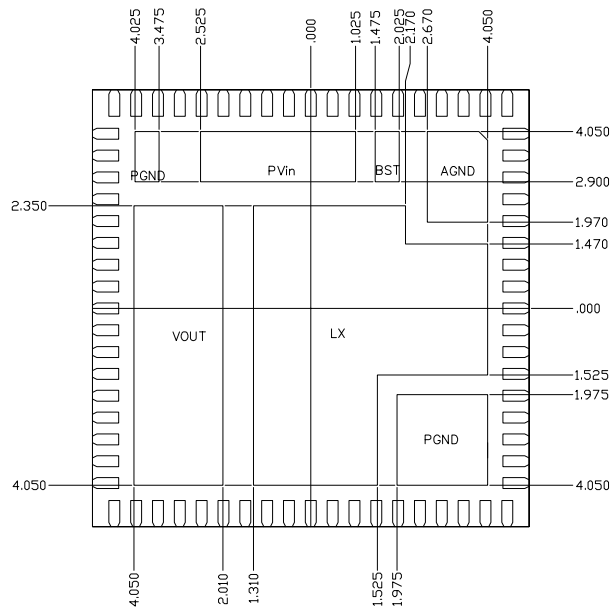


SIDE VIEW

| PACKAGE | 72L 10x10 QFN | | |
|---------|---------------|-------|-------|
| REF. | MIN. | NOM. | MAX. |
| A | 3.90 | 4.00 | 4.10 |
| b | 0.20 | 0.25 | 0.30 |
| L | 0.50 | 0.60 | 0.70 |
| D | 10.00 BSC | | |
| D1 | 1.94 | 2.04 | 2.14 |
| D2 | 3.45 | 3.55 | 3.65 |
| D3 | 5.26 | 5.36 | 5.46 |
| D4 | 3.38 | 3.48 | 3.58 |
| D5 | 2.735 | 2.835 | 2.935 |
| D6 | 1.28 | 1.38 | 1.48 |
| D7 | 1.975 | 2.075 | 2.175 |
| D8 | 0.45 | 0.55 | 0.65 |
| D9 | 0.45 | 0.55 | 0.65 |
| E | 10.00 BSC | | |
| E1 | 6.30 | 6.40 | 6.50 |
| E2 | 1.05 | 1.15 | 1.25 |
| E3 | 6.30 | 6.40 | 6.50 |
| E4 | 0.78 | 0.88 | 0.98 |
| E5 | 2.425 | 2.525 | 2.625 |
| E6 | 1.98 | 2.08 | 2.18 |
| E7 | 1.975 | 2.075 | 2.175 |
| E8 | 1.05 | 1.15 | 1.25 |
| E9 | 1.05 | 1.15 | 1.25 |
| e | 0.50 BSC | | |
| n | 72 | | |
| nD | 19 | | |
| nE | 17 | | |

| SYMBOL | COMMON DIMENSIONS | | | NOTE |
|---------------------------------|-------------------|------|------|------|
| | MIN. | NOM. | MAX. | |
| A1 | 0 | 0.02 | 0.05 | |
| A3 | 0.20 REF. | | | |
| TOLERANCES OF FORM AND POSITION | | | | |
| aaa | 0.10 | | | |
| bbb | 0.10 | | | |
| ccc | 0.10 | | | |
| ddd | 0.05 | | | |
| eee | 0.08 | | | |

TERMINAL DETAILS



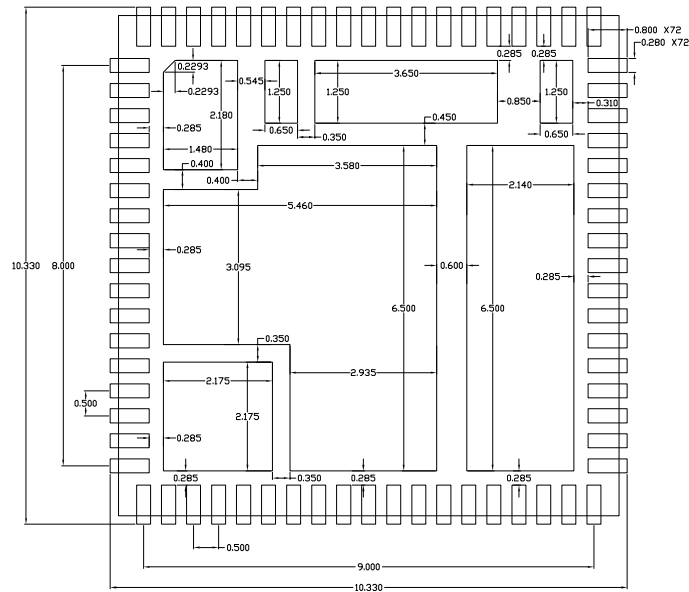
TERMINAL AND PAD EDGE DETAILS

NOTE : ALL DIMENSIONS ARE IN MILLIMETERS, ANGLES ARE IN DEGREES.

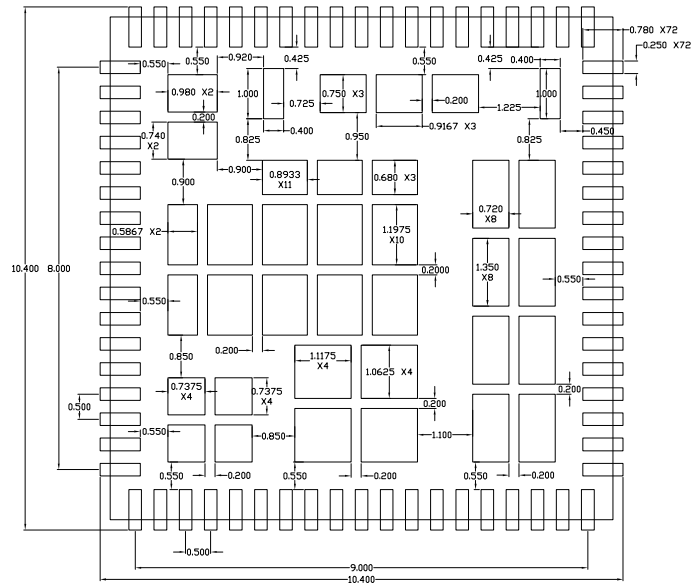
Drawing No. : POD-00000099

Revision: C

Recommended Land Pattern and Stencil



TYPICAL RECOMMENDED LAND PATTERN



TYPICAL RECOMMENDED STENCIL

NOTE : ALL DIMENSIONS ARE IN MILLIMETERS, ANGLES ARE IN DEGREES.

Drawing No.: POD-0000099

Revision: C

Ordering Information⁽¹⁾

| Part Number | Operating Temperature Range | Package | Packaging Method | Lead-Free |
|-------------|---|----------------------------------|------------------|--------------------|
| XR79206EL-F | $-40^{\circ}\text{C} \leq T_J \leq 125^{\circ}\text{C}$ | 10mm x 10mm x 4mm QFN package | Tray | Yes ⁽²⁾ |
| XR79206EVB | XR79206 evaluation board | | | |

NOTES:

1. Refer to www.maxlinear.com/XR79206 for most up-to-date Ordering Information
2. Visit www.maxlinear.com for additional information on Environmental Rating.

Revision History

| Revision | Date | Description |
|----------|------------|--|
| 1B | 03/04/2016 | Initial Release |
| 1C | 06/15/2018 | Update to MaxLinear logo. Update format, update Ordering Information format. Added Revision History. |
| 1D | 11/04/2019 | Correct block diagram by changing the input gate that connects to the Hiccup Mode block from an AND gate to an OR gate and spacing the inverting latch output from the Short-Circuit Detection op amp output connection. |



Corporate Headquarters:
 5966 La Place Court
 Suite 100
 Carlsbad, CA 92008
 Tel.: +1 (760) 692-0711
 Fax: +1 (760) 444-8598
www.maxlinear.com

The content of this document is furnished for informational use only, is subject to change without notice, and should not be construed as a commitment by MaxLinear, Inc. MaxLinear, Inc. assumes no responsibility or liability for any errors or inaccuracies that may appear in the informational content contained in this guide. Complying with all applicable copyright laws is the responsibility of the user. Without limiting the rights under copyright, no part of this document may be reproduced into, stored in, or introduced into a retrieval system, or transmitted in any form or by any means (electronic, mechanical, photocopying, recording, or otherwise), or for any purpose, without the express written permission of MaxLinear, Inc.

MaxLinear, Inc. does not recommend the use of any of its products in life support applications where the failure or malfunction of the product can reasonably be expected to cause failure of the life support system or to significantly affect its safety or effectiveness. Products are not authorized for use in such applications unless MaxLinear, Inc. receives, in writing, assurances to its satisfaction that: (a) the risk of injury or damage has been minimized; (b) the user assumes all such risks; (c) potential liability of MaxLinear, Inc. is adequately protected under the circumstances.

MaxLinear, Inc. may have patents, patent applications, trademarks, copyrights, or other intellectual property rights covering subject matter in this document. Except as expressly provided in any written license agreement from MaxLinear, Inc., the furnishing of this document does not give you any license to these patents, trademarks, copyrights, or other intellectual property.

MaxLinear, the MaxLinear logo, and any MaxLinear trademarks, MxL, Full-Spectrum Capture, FSC, G.now, AirPHY and the MaxLinear logo are all on the products sold, are all trademarks of MaxLinear, Inc. or one of MaxLinear's subsidiaries in the U.S.A. and other countries. All rights reserved. Other company trademarks and product names appearing herein are the property of their respective owners.

© 2016 - 2019 MaxLinear, Inc. All rights reserved